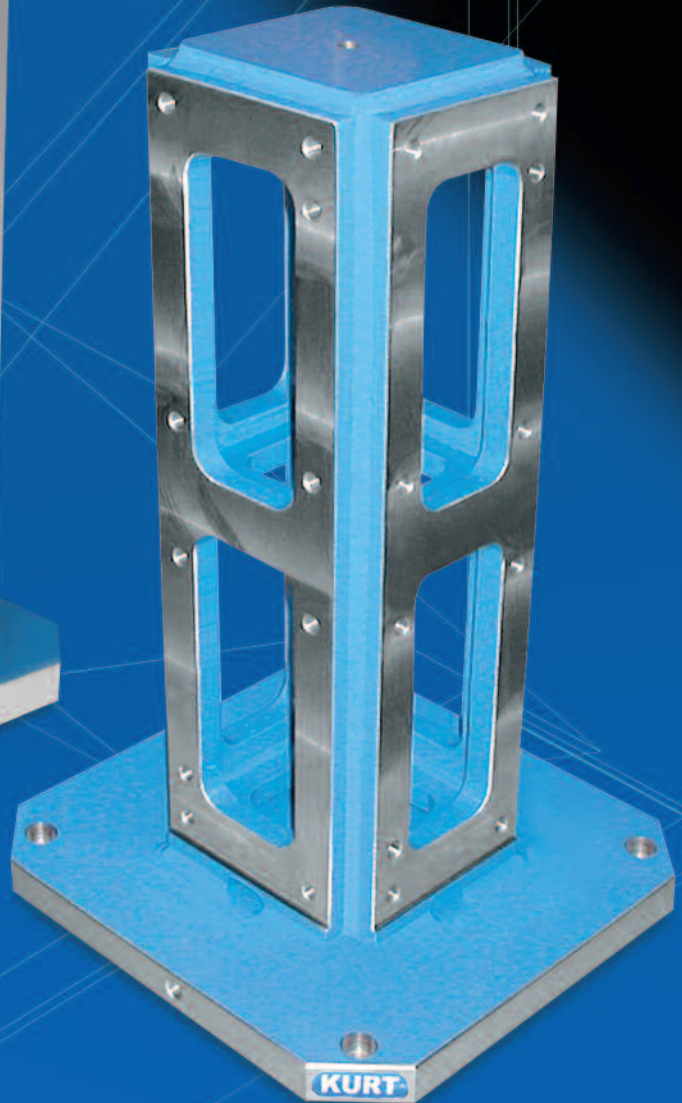
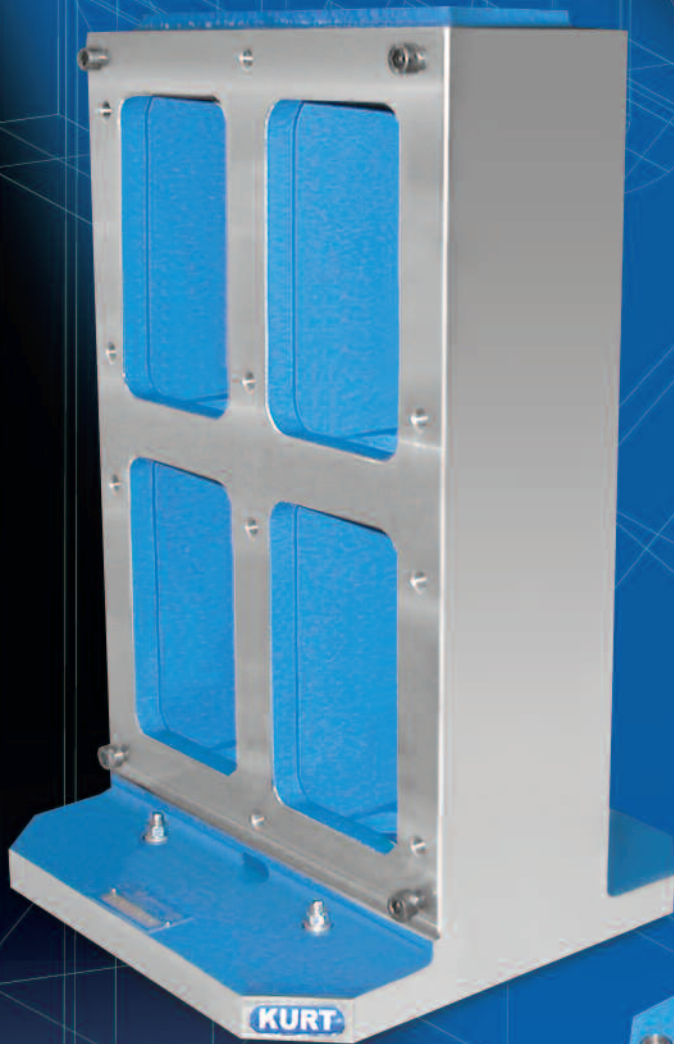


NEW!



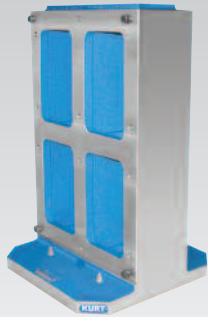
Cast Iron Caged ToolBlox

- 2 Face and 4 Face Modular ToolBlox



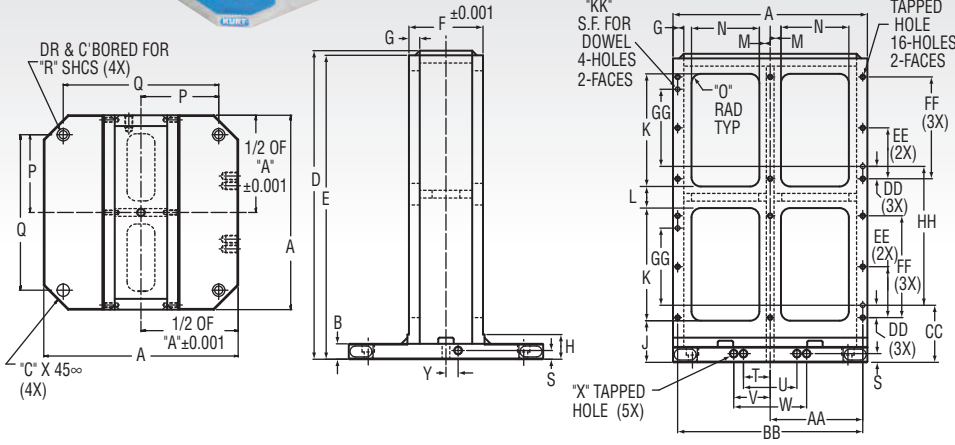


MODULAR TOOLBLOX™



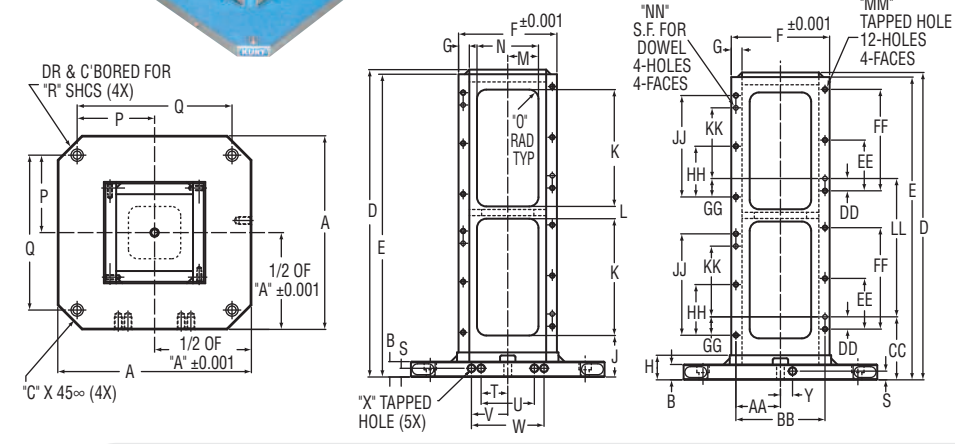
2 Face Modular ToolBloX™

Here's a new lighter weight building block module to add high density and versatility to most model horizontal machining centers. It is over 30% lighter than comparable size tombstones with aluminum sub-plates. Provides a lower cost alternative to dedicated fixtures. Features bolt holes and dowel pattern on each face for fast installation and removal of sub-plates and other workholding components. Built out of Steel.

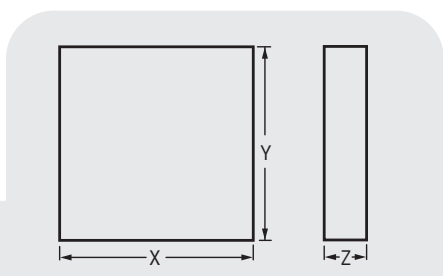


4 Face Modular ToolBloX™

This 4 sided tombstone is another lower cost option over dedicated fixtures. It is over 30% lighter than comparable size tombstones with aluminum sub-plates and is designed to reduce setup time. Provides versatility for mounting manual and hydraulic vises and most clamping devices. Standard and custom sub-plates are also available. Built out of Steel.



	2-SIDED TOMBSTONE CAGE DIMENSIONAL DATA		4-SIDED TOMBSTONE CAGE DIMENSIONAL DATA	
	TC2F40616	TC2F50820	TC4F40808	TC4F51010
A	400mm	500mm	400mm	500mm
B	1.250	1.250	1.250	1.250
C	1.970	2.360	1.970	2.360
D	25.000	28.000	25.000	28.000
E	24.625	27.625	24.625	27.625
F	6.000	8.000	8.000	10.000
G	0.875	0.875	0.875	0.875
H	2.000	2.000	2.000	2.000
J	3.375	3.375	3.375	3.375
K	9.125	10.500	9.500	10.625
L	1.750	2.000	1.000	1.750
M	0.875	1.000	2.500	3.375
N	5.500	7.125	5.000	6.750
O	0.750	0.750	0.750	0.750
P	6.299	7.874	6.299	7.874
Q	12.598	15.748	12.598	15.748
R	5/8	5/8	5/8	5/8
S	0.709	0.709	0.709	0.709
T	2.165	2.165	2.165	2.165
U	4.330	4.330	4.330	4.330
V	2.953	2.953	2.953	2.953
W	5.906	5.906	5.906	5.906
X	5/8-11NC x 1" DP	5/8-11NC x 1" DP	5/8-11NC x 1" DP	5/8-11NC x 1" DP
Y	0.984	0.984	0.984	0.984
AA	7.500	9.4375	3.625	4.625
BB	15.000	18.875	7.250	9.250
CC	4.625	4.625	5.125	5.125
DD	1.000	1.000	1.000	1.000
EE	4.125	4.625	4.125	4.625
FF	8.250	9.250	8.250	9.250
GG	6.250	7.250	1.500	1.500
HH	11.250	12.750	4.125	4.625
JJ	3/8-16NC x 0.88 DP	3/8-16NC x 0.88 DP	8.250	9.250
KK	0.375ø x 0.75 DP	0.375ø x 0.75 DP	5.750	6.750
LL	-	-	11.250	12.750
MM	-	-	3/8-16NC x 0.88 DP	3/8-16NC x 0.88 DP
NN	-	-	0.375ø x 0.75 DP	0.375ø x 0.75 DP
Wt. Lbs.	326	546	245	361
Wt. Kgs.	148	248	112	164



Sub-Plates

- Kurt offers a variety of standard ToolBloX sub-plates for your application.
- Please specify A36 HRS or 6061 T6 Aluminum.
- You may specify optional hole patterns and/or keyways.
- All Kurt ToolBloX sub-plates are rotary ground to ±0.001" thick.
- All Kurt ToolBloX sub-plates are doweled and bolted to the Kurt Modular ToolBloX allowing the quickest change possible for dedicated fixtures.
- You can permanently mount Kurt vises to the ToolBloX sub-plates for fast, easy set-up changes on milling machines.
- Kurt grid plates are also available with a 2" x 2" hole pattern

MODEL	TC2F40616	TC2F50820	TC4F40808	TC4F51010
X	15.700	19.600	8.000	10.000
Y	23.700	26.700	23.700	26.700
Z	0.940	0.940	0.940	0.094

Note: Outside dimensions of A36 steel or 6061 T6 aluminum plates are cut dimensions.